

## FW96 Thin Sheet Nutsert

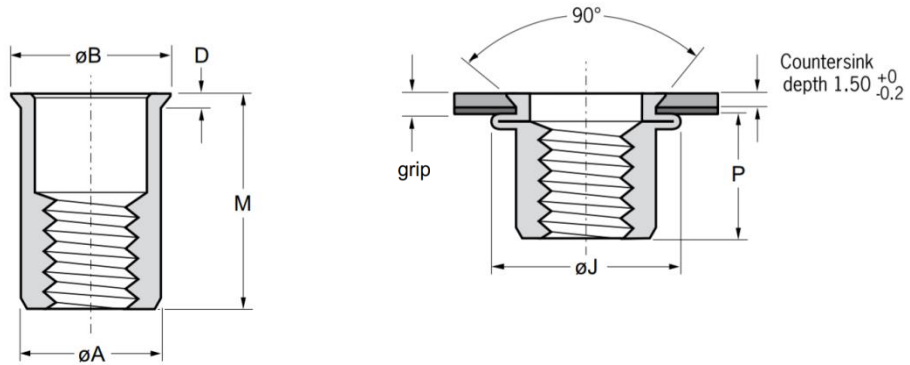
Aluminium · Countersunk · Round · Open end  
M3 - M10

### Features

- Designed to provide load bearing threads in thin sheet materials
- Countersunk head flush installation and clamp up

### Material

- Aluminium alloy 5052 (2.5% Mg), natural



Before Placement

After Placement

| Part No.    | Thread Size | Grip Range |      | Hole Size<br>+0.1 / -0 | øA<br>max. | øB<br>+0/-0.4 | D<br>+0.3/-0.1 | øJ<br>max. | M<br>±0.35 | P<br>max. |
|-------------|-------------|------------|------|------------------------|------------|---------------|----------------|------------|------------|-----------|
|             |             | min.       | max. |                        |            |               |                |            |            |           |
| 0FW96-00335 | M3 x 0.5    | 1.70       | 3.50 | 5.10                   | 5.00       | 8.00          | 1.50           | 7.00       | 11.25      | 6.50      |
| 0FW96-00435 | M4 x 0.7    | 1.70       | 3.50 | 6.10                   | 6.00       | 9.00          | 1.50           | 8.10       | 11.50      | 6.80      |
| 0FW96-00450 |             | 3.50       | 5.00 |                        |            |               |                |            | 13.00      |           |
| 0FW96-00540 | M5 x 0.8    | 1.70       | 4.00 | 7.10                   | 7.00       | 10.00         | 1.50           | 9.60       | 13.00      | 8.30      |
| 0FW96-00565 |             | 4.00       | 6.50 |                        |            |               |                |            | 16.00      |           |
| 0FW96-00645 | M6 x 1.0    | 1.70       | 4.50 | 9.10                   | 9.00       | 12.00         | 1.50           | 12.10      | 17.00      | 10.00     |
| 0FW96-00665 |             | 4.50       | 6.50 |                        |            |               |                |            | 19.00      |           |
| 0FW96-00845 | M8 x 1.25   | 1.70       | 4.50 | 11.10                  | 11.00      | 14.00         | 1.50           | 14.50      | 19.00      | 11.50     |
| 0FW96-00865 |             | 4.50       | 6.50 |                        |            |               |                |            | 21.00      |           |
| 0FW96-01045 | M10 x 1.5   | 1.70       | 4.50 | 12.50                  | 12.00      | 15.40         | 1.50           | 16.50      | 21.00      | 14.70     |
| 0FW96-01065 |             | 4.50       | 6.50 |                        |            |               |                |            | 23.00      |           |

| Thread Size | Max. torque | Pull-out | Torque-to-turn | Push-out |
|-------------|-------------|----------|----------------|----------|
|             | Nm max.     | kN       | Nm min.        | kN       |
| M3 x 0.5    | 1.2         | 3.7      | 0.8            | 1.4      |
| M4 x 0.7    | 4.0         | 4.7      | 1.7            | 1.9      |
| M5 x 0.8    | 5.3         | 6.3      | 2.2            | 2.6      |
| M6 x 1.0    | 10.8        | 10.1     | 4.7            | 3.4      |
| M8 x 1.25   | 23.0        | 11.7     | 7.8            | 3.7      |
| M10 x 1.5   | 28.0        | 13.8     | 9.9            | 4.7      |